



2501 Ludelle Street
Fort Worth, Texas 76105-1036
817-244-6212 Phone • 817-244-4024 Fax
888-350-6588 Sales • 800-423-9696 Tech
E-mail: painless@painlessperformance.com
Web: www.painlessperformance.com

10310

MODULAR TURN FLASHER KIT

1. Select a terminal cavity on the fused side of the Modular fuse block.
NOTE: If the Modular fuse block has been installed, this installation will require the loss of one circuit.
2. Remove and discard the terminal and wire using a small screw driver. Depress the terminal locking tangs while pulling the wire from the back side of the fuse block. Do not force the terminal, forcing the terminal will damage the fuse block. **(See Illustration A)**

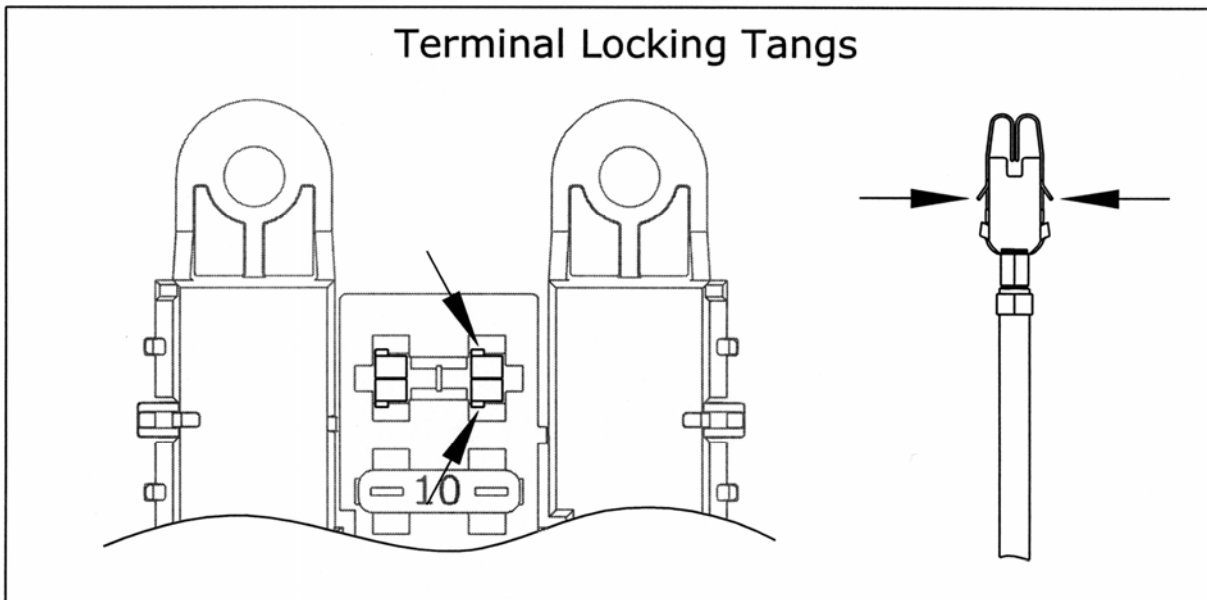


Illustration A

3. Secure the turn signal flasher connector to the side of the fuse block as described in step 4.
4. Position the turn signal flasher connector onto the mounting tabs near the bottom of the fuse block and rotate it towards the fuse block until it snaps into place behind the locking ear. **(See Illustration B)**

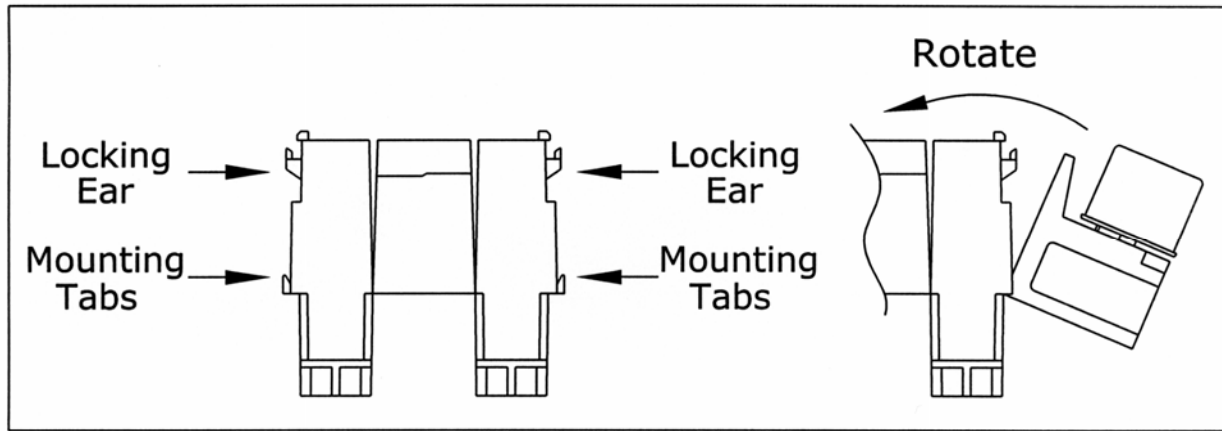


Illustration B

NOTE: If the modular harness kit is to be used in a high vibration application then a self tapping screw (supplied) should be installed to the flasher connector to help secure it to the fuse block. **(See Illustration C)**

NOTE: If using a second relay or flasher connector on the same side they must be locked together before installation.

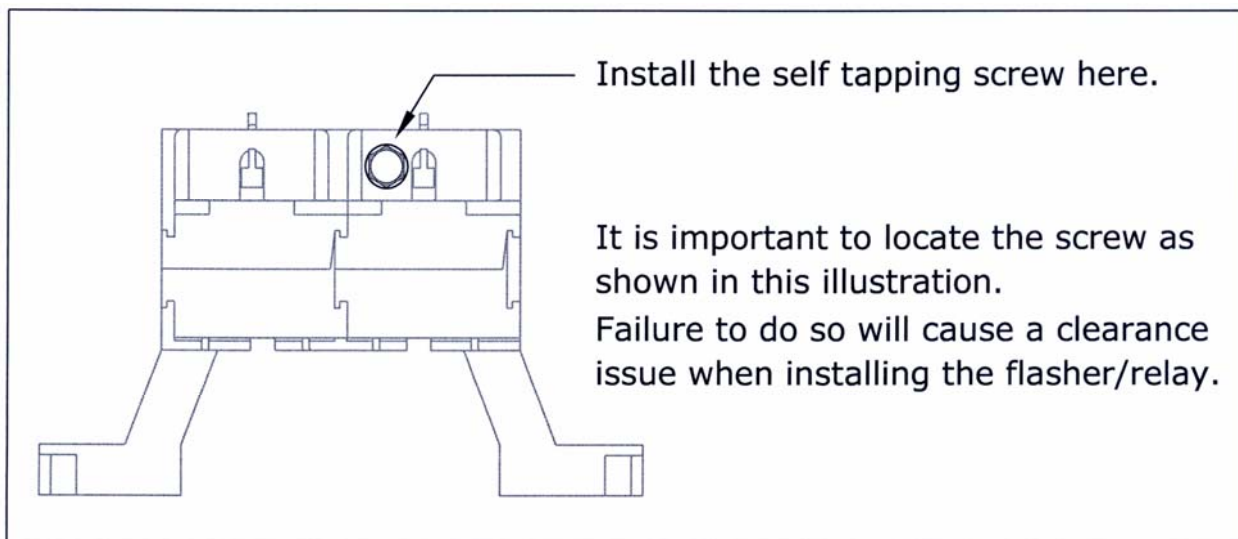


Illustration C

5. Insert the short Purple wire with the fuse terminal into the empty cavity and push it into place. The terminal will snap when secure.
6. Route the long Purple wire to the turn signal switch and cut to length.
7. Strip the wire and crimp on the terminal that fits your application.
8. Connect the Purple wires together at the turn signal switch, *for GM column.*

Painless Performance Limited Warranty and Return Policy

Chassis harnesses and fuel injection harnesses are covered under a lifetime warranty. All other products manufactured and/or sold by Painless Performance are warranted to the original purchaser to be free from defects in material and workmanship under normal use. Painless Performance will repair or replace defective products without charge during the first 12 months from the purchase date. No products will be considered for warranty without a copy of the purchase receipt showing the sellers name, address and date of purchase. You must return the product to the dealer you purchased it from to initiate warranty procedures.