



2501 Ludelle Street
Fort Worth, Texas 76105-1036
817-244-6212 Phone • 817-244-4024 Fax
888-350-6588 Sales • 800-423-9696 Tech
E-mail: painless@painlessperformance.com
Web: www.painlessperformance.com

10321

MODULAR UNIVERSAL RELAY KIT

1. Secure the universal relay connector to the side of the fuse block as described in step 2.
2. Position the universal relay connector onto the mounting tabs near the bottom of the fuse block and rotate it towards the fuse block until it snaps into place behind the locking tab. **(See Illustration A)**

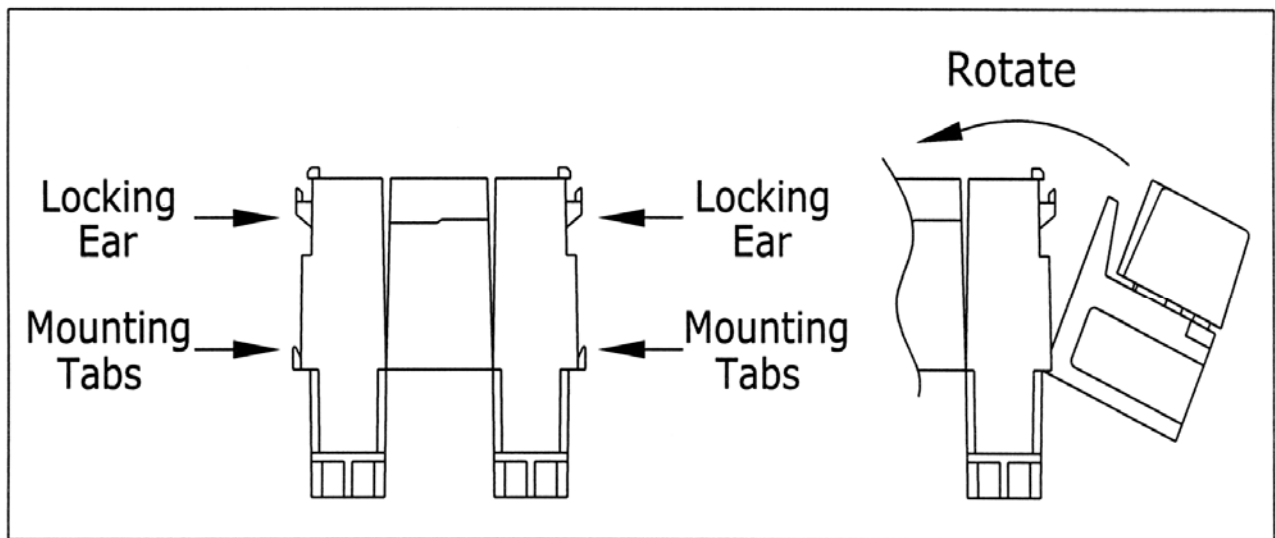


Illustration A

NOTE: If the modular harness kit is to be used in a high vibration application then a self tapping screw (supplied) should be installed to the relay connector to help secure it to the fuse block. **(See Illustration B)**

NOTE: If using a second relay or flasher connector on the same side they must be locked together before installation.

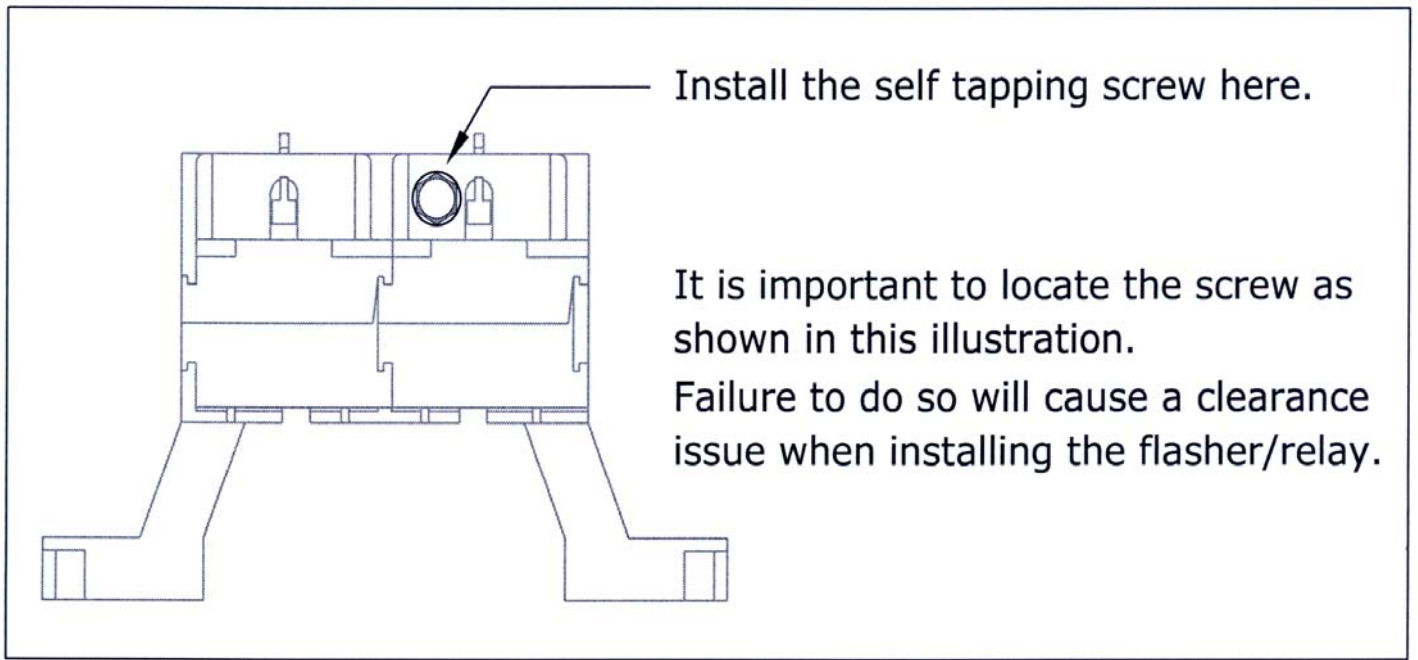


Illustration B

3. Route the Large Red wire (14 gauge) to a fused power source and cut to length.
4. Strip the wire and crimp on the terminal that fits your application.
5. Route the Orange wire to the device to be operated and cut to length.
6. Strip the wire and crimp on the terminal that fits your application.
7. Route the Small Red wire (18 gauge) to accessory switch or ignition hot power source and cut to length.
8. Strip the wire and crimp on the terminal that fits your application.
9. Route the Black wire to a good ground source and cut to length.
10. Strip the wire and crimp on the terminal that fits your application.

NOTE: Plastic or fiberglass will not make a good ground.

NOTE: If using a ground to activate the relay, connect the Black wire to the accessory switch and the Small Red wire (18 gauge) to the power source.

Painless Performance Limited Warranty and Return Policy

Chassis harnesses and fuel injection harnesses are covered under a lifetime warranty. All other products manufactured and/or sold by Painless Performance are warranted to the original purchaser to be free from defects in material and workmanship under normal use. Painless Performance will repair or replace defective products without charge during the first 12 months from the purchase date. No products will be considered for warranty without a copy of the purchase receipt showing the sellers name, address and date of purchase. You must return the product to the dealer you purchased it from to initiate warranty procedures.

Copyright © 2007 by Perfect Performance Products, LLC