



2501 Ludelle Street
Fort Worth, Texas 76105
817-244-6212 Phone • 817-244-4024 Fax
888-350-6588 Sales • 800-423-9696 Tech
E-mail: painless@painlessperformance.com
Web: www.painlessperformance.com

30302

UNIVERSAL DASH HARNESS INSTALLATION INSTRUCTIONS (INSTALLATION OF WIRES ON GAUGES)

SPEEDOMETER

BONDED WIRES TO SENSOR TERMINAL(S)
RED/WHITE TO BATTERY (+)
BLACK TO GROUND

TACHOMETER (IF USED)

PURPLE/WHITE TO SENDER
RED/WHITE TO BATTERY (+)
BLACK TO GROUND (-)

FUEL LEVEL GAUGE

PINK TO SENDER (S)
RED/WHITE TO BATTERY (+)
BLACK TO GROUND (-)

OIL PRESSURE GAUGE

LIGHT BLUE/BLACK TO SENDER (S)
RED/WHITE TO BATTERY (+)
BLACK TO GROUND (-)

WATER TEMPERATURE GAUGE

LIGHT GREEN TO SENDER (S)
RED/WHITE TO BATTERY (+)
BLACK TO GROUND (-)

VOLTMETER

RED/WHITE TO BATTERY (+)
BLACK TO GROUND (-)

DASH LIGHTS

BROWN TO DASH LIGHTS
BLACK TO GROUND

LEFT TURN INDICATOR

LIGHT BLUE TO INDICATOR **B+**
BLACK TO GROUND

RIGHT TURN INDICATOR

BLUE TO INDICATOR **B+**
BLACK TO GROUND

HIGH BEAM INDICATOR

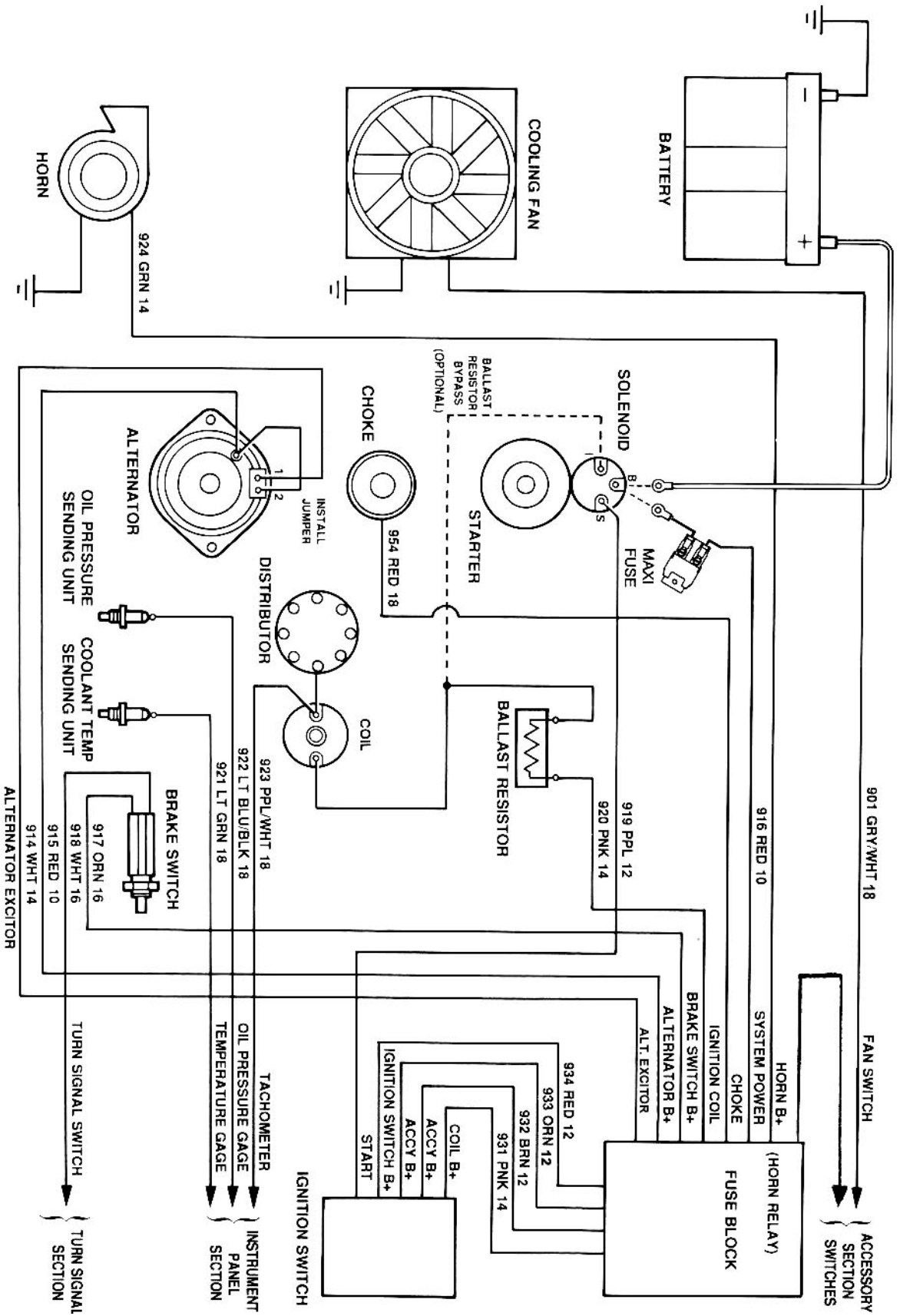
GREEN TO INDICATOR **B+**
BLACK TO GROUND

NOTE: IF YOUR GAUGES HAVE STUDS WITH NUTS INSTEAD OF BLADE (PUSH-ON) CONNECTORS, USE THE ADAPTER TERMINALS SUPPLIED OR CONVERSION TO THE PUSH ON TYPE TERMINAL.

NOTE: IF YOUR DASH LIGHTS HAVE A SINGLE WIRE COMING OUT THE CENTER OF THE SOCKET, ATTACH THE BROWN WIRE TO IT AND ATTACH THE BLACK WIRE TO THE GAUGE MOUNTING BRACKET USING THE RING TERMINALS PROVIDED.

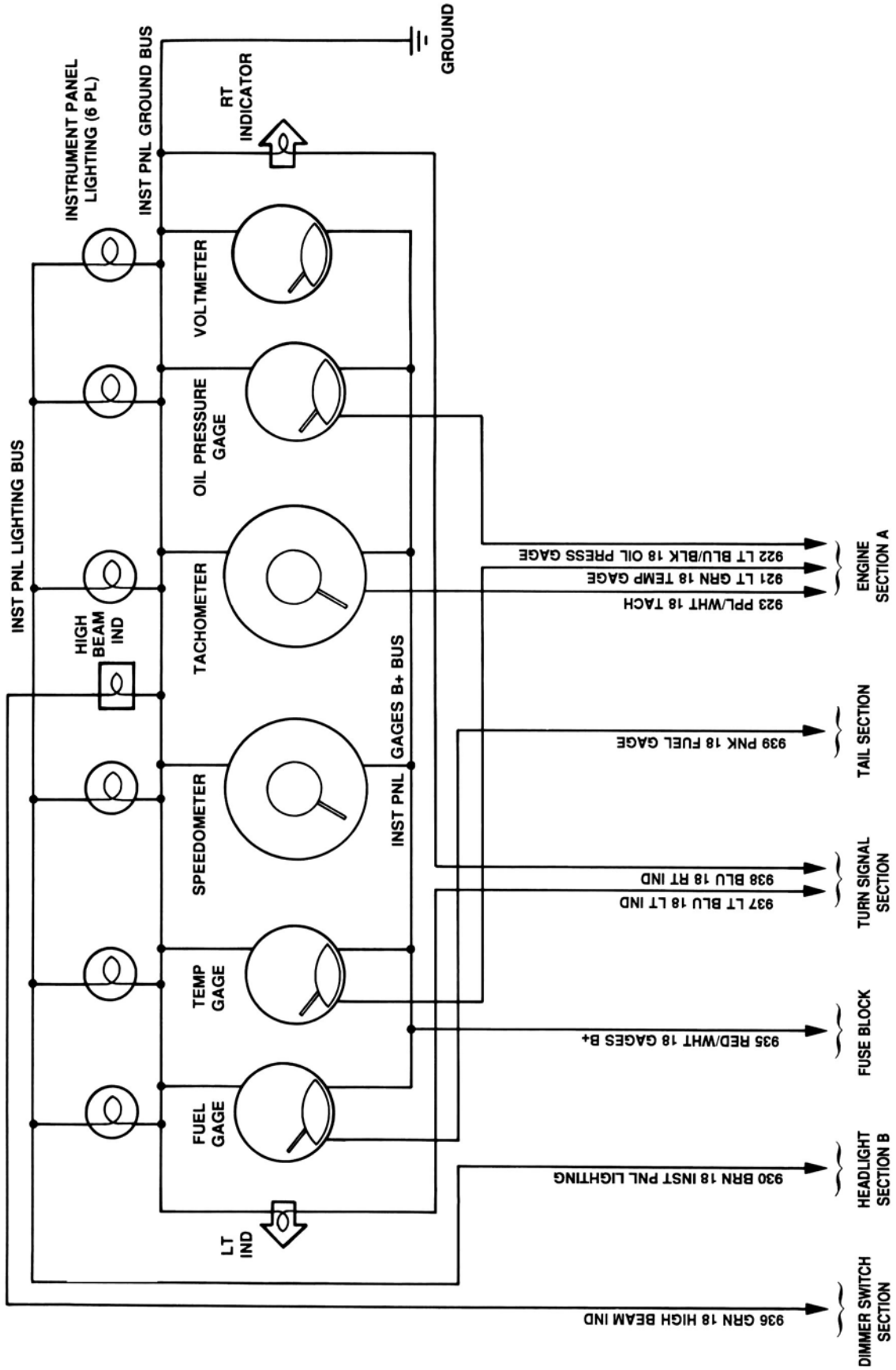
NOTE: IF YOUR INDICATOR LIGHTS HAVE PUSH ON TERMINALS, REMOVE THE BUTT CONNECTORS INSTALLED ON THE HARNESS INDICATOR WIRES AND REPLACE WITH THE PUSH ON CONNECTORS SUPPLIED.

NOTE: THIS HARNESS IS MANUFACTURED WITH BUTT CONNECTORS ON THE WIRES FOR THE INDICATOR LIGHTS AND PUSH ON CONNECTORS ON THE GAUGE WIRES FOR YOUR CONVENIENCE.



ENGINE WIRING

INSTRUMENT PANEL SECTION WIRING



Painless Performance Limited Warranty and Return Policy

Chassis harnesses and fuel injection harnesses are covered under a lifetime warranty. All other products manufactured and/or sold by Painless Performance are warranted to the original purchaser to be free from defects in material and workmanship under normal use. Painless Performance will repair or replace defective products without charge during the first 12 months from the purchase date. No products will be considered for warranty without a copy of the purchase receipt showing the sellers name, address and date of purchase. You must return the product to the dealer you purchased it from to initiate warranty procedures.