



2501 Ludelle Street  
Fort Worth, Texas 76105  
817-244-6212 Phone • 817-244-4024 Fax  
888-350-6588 Sales • 800-423-9696 Tech  
E-mail: [painless@painlessperformance.com](mailto:painless@painlessperformance.com)  
Web: [www.painlessperformance.com](http://www.painlessperformance.com)

# 40027

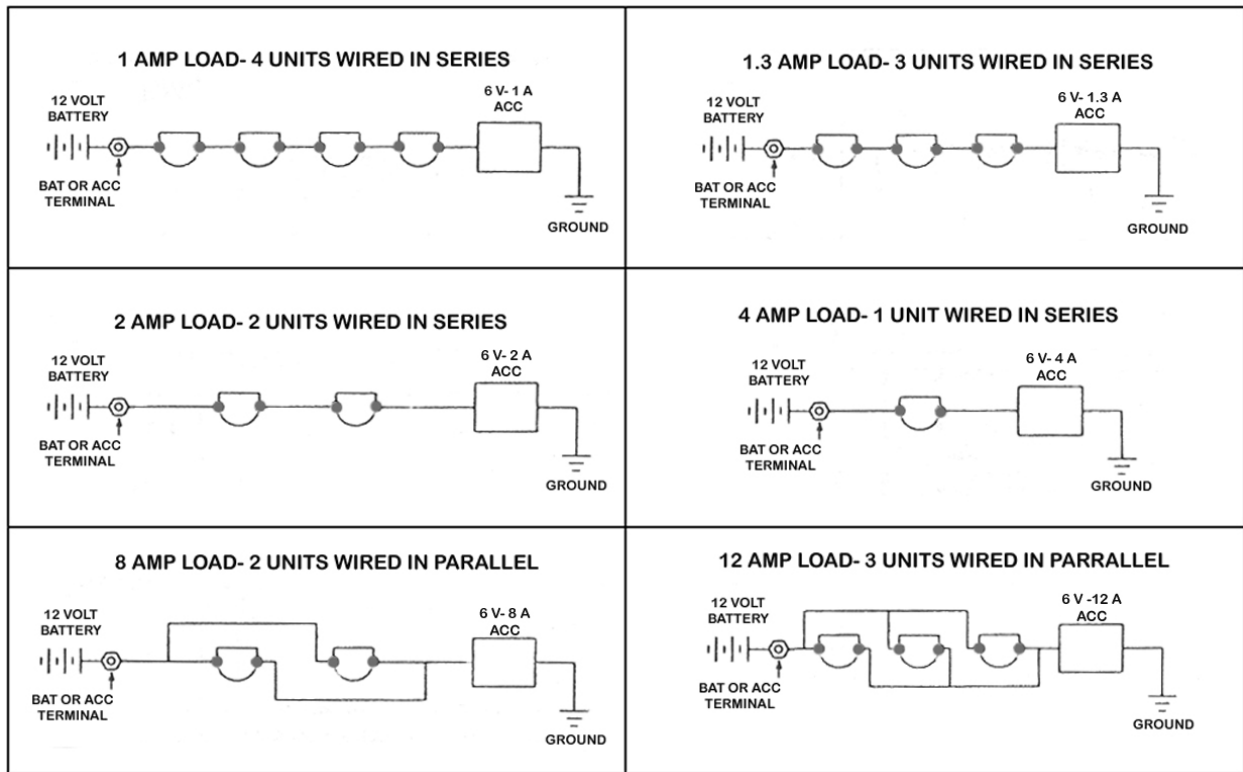
## **CERAMIC VOLTAGE REDUCER** **INSTALLATION INSTRUCTIONS**

THIS CERAMIC VOLTAGE REDUCER IS DESIGNED TO DROP 12 VOLTS TO 6 VOLTS FOR VEHICLES USING A 12 VOLT SYSTEM BUT KEEPING SOME 6 VOLT ACCESSORIES (BLOWER MOTOR, RADIO, ETC.).

**NOTE!      THIS UNIT IS NOT FOR USE WITH GAUGES.**

**CAUTION:    VOLTAGE REDUCER IS DESIGNED FOR 1.5 OHMS RESISTANCE AT FOUR (4) AMPS. MAXIMUM LOAD. OVERLOADING WILL DAMAGE REDUCER AND/OR ACCESSORY. VOLTAGE REDUCER BECOMES HOT DURING OPERATION. MOUNT REDUCER IN AN OPEN SPACE AWAY FROM WIRING, HOSES, ETC.**

1. CHECK AMP. RATING OF ACCESSORY TO BE INSTALLED. YOU MUST HAVE THIS INFORMATION BEFORE INSTALLING ACCESSORY.
2. SELECT THE DIAGRAM WHICH MATCHES THE AMP. RATING OF ACCESSORY. **DAMAGE TO THE REDUCER AND/OR ACCESSORY WILL RESULT IF WRONG DIAGRAM IS USED.**
3. CONNECT ONE OR MORE VOLTAGE REDUCERS IN SERIES OR PARALLEL AS SHOWN IN DIAGRAM.



## Painless Performance Limited Warranty and Return Policy

Chassis harnesses and fuel injection harnesses are covered under a lifetime warranty.

All other products manufactured and/or sold by Painless Performance are warranted to the original purchaser to be free from defects in material and workmanship under normal use. Painless Performance will repair or replace defective products without charge during the first 12 months from the purchase date. No products will be considered for warranty without a copy of the purchase receipt showing the sellers name, address and date of purchase. You must return the product to the dealer you purchased it from to initiate warranty procedures.

**Copyright © 2007 by Perfect Performance Products, LLC**