



2501 Ludelle Street
Fort Worth, Texas 76105
817-244-6212 Phone • 817-244-4024 Fax
888-350-6588 Sales • 800-423-9696 Tech
E-mail: painless@painlessperformance.com
Web: www.painlessperformance.com

80175

NEUTRAL SAFETY/ BACKUP LIGHT SWITCH KIT

(GM TH-350, 400 & 700R-4 Transmissions)

CAUTION: Before beginning the installation, be sure that the vehicle's parking brake is applied to prevent the vehicle from rolling.

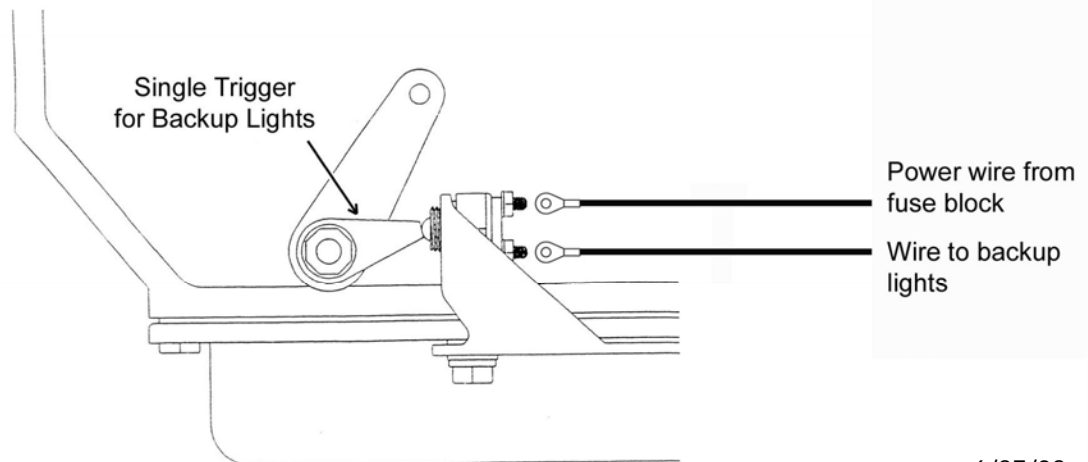
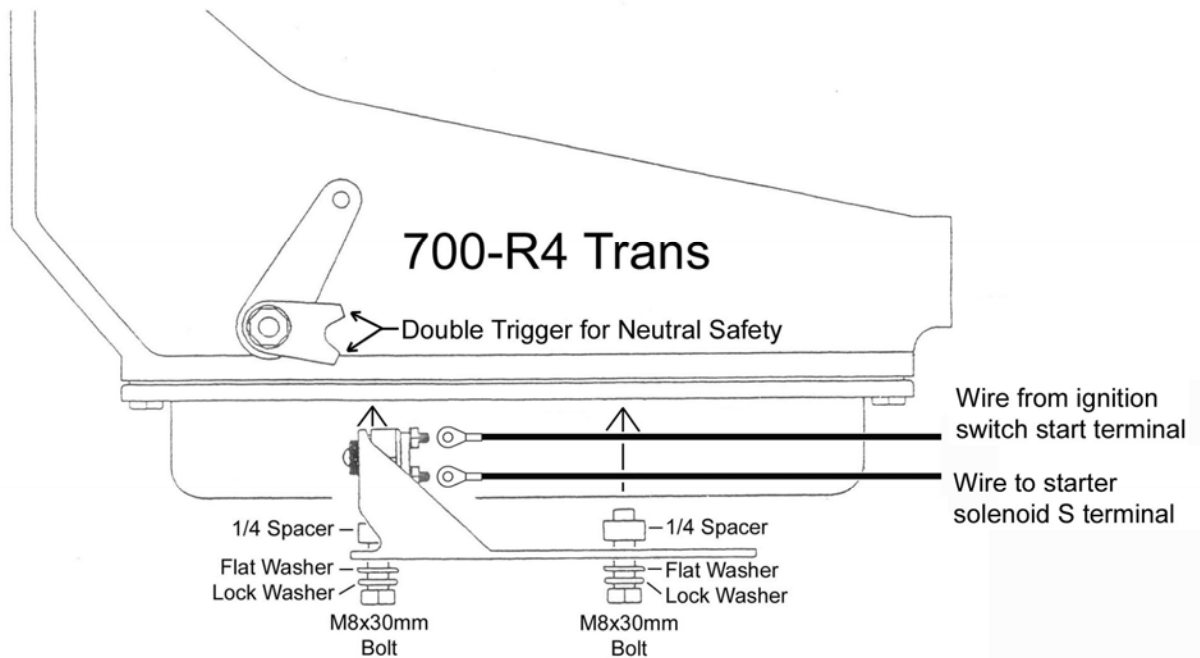
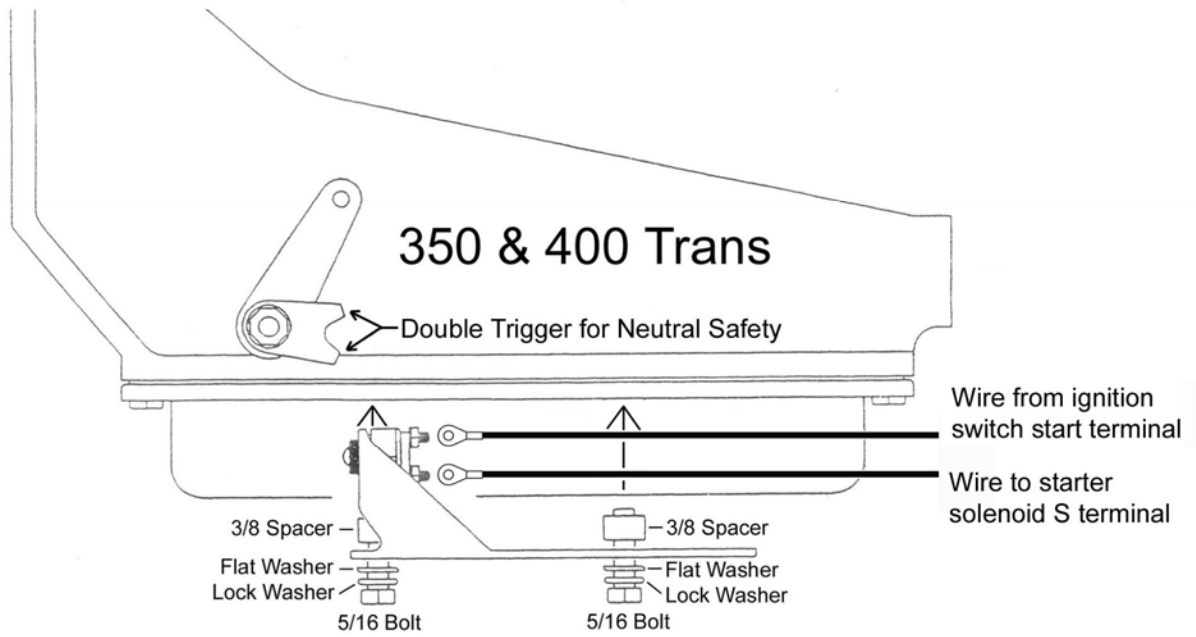
Install the switch and bracket on the transmission as shown in the illustrations on the back page using the parts listed below:

TH-350 & 400 Trans - two 3/8" spacers, two 5/16" bolts, two lock washers and flat washers.

700-R4 Trans - two 1/4" spacers, two M8 bolts, two lock washers and flat washers.

Neutral Safety Function: If you are using the switch for neutral safety you will install the double trigger as shown. The trigger needs to be installed so that it depresses in the switch ball when the transmission is in park or neutral only. Take the wire that comes from the ignition switch start terminal, route it and install on either terminal of the neutral safety switch. Install the wire to starter solenoid "s" terminal on the remaining terminal.

Backup Light Function: If you are using the switch for the backup lights you will install the single trigger as shown. The trigger needs to be installed so that it depresses in the switch ball when the transmission is in reverse. Take the backup switch power wire, route it and install on either terminal of the backup switch. Take the wire coming from the backup lights and install on the remaining terminal.



Painless Performance Limited Warranty and Return Policy

Chassis harnesses and fuel injection harnesses are covered under a lifetime warranty.

All other products manufactured and/or sold by Painless Performance are warranted to the original purchaser to be free from defects in material and workmanship under normal use. Painless Performance will repair or replace defective products without charge during the first 12 months from the purchase date. No products will be considered for warranty without a copy of the purchase receipt showing the sellers name, address and date of purchase. You must return the product to the dealer you purchased it from to initiate warranty procedures.